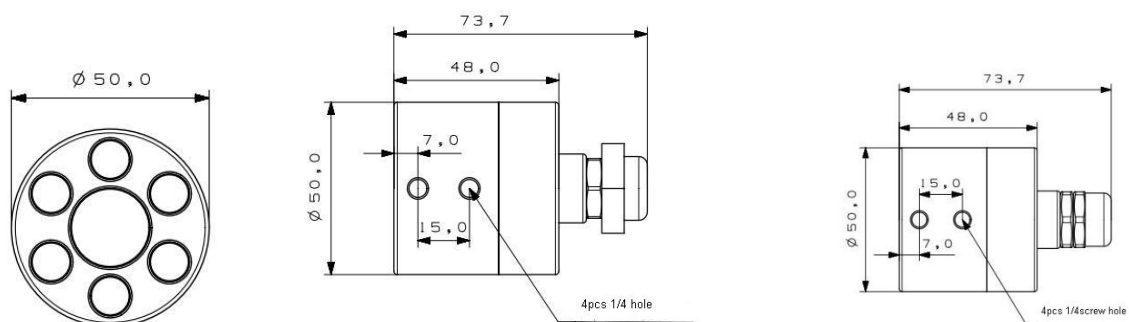


## Stainless Steel 1080P Underwater POE IP Camera #D10012



### Application:

- HD Subsea monitoring
- Monitoring and control of fish farm
- Seawater and freshwater research
- Hydrology reasearch
- Offshore oil and gas
- Offshore survey
- Underwater videography
- ROV operation
- All other HD visual application

**Detail Spec:**

Camera Head Dimension	Φ50mm*48mm
Lens	3.6mm(H.FOV:90°)
Sensor	1/2.8"SONY CMOS sensor, color 0.001lux F1.2,black/white 0.0001Lux F1.2
Resolution	2MP 1920*1080P 50FPS/50FPS 1MP 1280*720P 50FPS/50FPS
Built-in Light	Light sensor controlled 6 white light ,10 level brightness settings,5W in total (manual control and time control)
Image color	white light - full color
Supporting device	Support computer, NVR.
Supporting agreement	IPv4/IPv6,802.1x,HTTPS, HTTP, TCP/IP, UDP, RTP, RTCP, UPNP, RTSP, SMTP, NTP, DHCP, DNS, PPPOE, DDNS, FTP,RTSP,ONVIF;SDK Secondary development
Storage	Built-in 128G
Camera Housing	Titanium
Waterproof	IP68 (permanent Installed under water)
Water pressure	Maximum 3000Kpa (Waterpressure resistance 300M)
Cable	10M standard length, PU material,Diameter 7MM.Resistance to 60KG pull,Anti-aging,Anti-friction,Resistance to seawater corrosion,Special underwater wire.
Power Supply	DC24V/POE
Weight	175g
Use environment	Sea water / fresh water /Underwater,land,Car,Shipborne.
Working humidity	0%-100%
Working temperature	-20°-55°
Packing List:	1 Camera 1 U Disk(instruction and software)

\*Patent Pending Design \*

**ROYAL TOOL(HONGKONG)LIMITED**  
No. 38,Mingquan Road, Zhongshan city,  
Guangdong Province ,China 528400.  
E-mail:info@royaltoolpro.com  
Tel:086 0735 7640815/086 0760 8880 1865  
www.royaltoolpro.com  
www.vanhonindustry.com