

# ROYALTOOL

Barlus 4K and 30xZoom PTZ Industrial Subsea Video Camera DZ10010-SS-PTZ180

**Pan:360° Tilt:180°**

**4K**

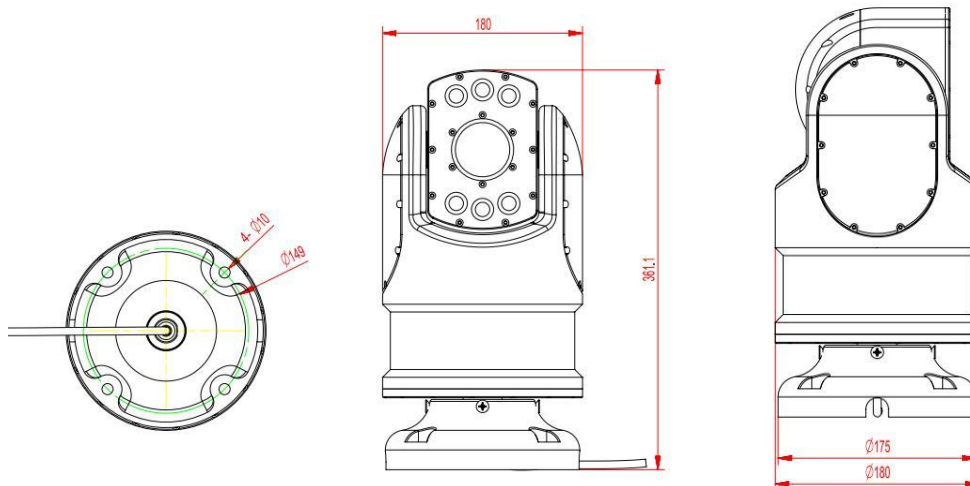
**30Xzoom**

**100M seawater depth**

**Built-in lights**



## Drawing



\*Patent Pending Design \*

**ROYAL TOOL(HONGKONG)LIMITED**

No. 38,Mingquan Road, Zhongshan city,  
Guangdong Province ,China 528400.

E-mail:info@royaltoolpro.com

Tel:08607357640815/086 0760 88801865

Phone:086 18565801348

www.royaltoolpro.com

www.vanhonindustry.com

## Application

Offshore oil and gas  
Oceangraphic  
Fish net pen inspection  
Offshore survey  
Analysis of the underwater ecosystem  
Subsea drilling and ROV operation  
Seawater and fresh water research  
Salmon fish monitoring and control  
Filed biologist for field work or field work  
All other visual applications

## Detail spec

Camera head dimension	Φ180mm*155mm(L)
Sensor	4.7-141mm 30XOptical zoom lens;Wide(H:60.5,V:35.1),tele(H:2.3,V:1.3)
Lens	1/2.8" SONY CMOS sensor,color0.001LuxF1.2,Black/white 0.0001LuxF1.2
Rotation	Pan:360° endless,Tilt:180° , Pan:0-160°/s,Tilt:0-90°/s
Illumination	Built-in 6pcs white led lights, 10 level dimness
Resolution	4K 3840x2160P 30fps 5MP 2592x1944P 30fps/50fps 4MP 2590x1920P 30fps/60fps 3MP 2048x1536P 60fps 2MP 1920x1080P 60fps
Image color	Full color
Camera housing material	Titainum
Waterproof	IP86,Water depth:100M;Permantly install underwater seawater
Cable	Φ12mm thickness industrial cable. Resistant to 60KG pull,anti-friction,anti-aging,anti-seawater corrosion
Support device	Computer,NVR
Supporting agreement	IPv4/IPv6,802.1x,GB28181,HTTPS, HTTP, TCP/IP, UDP, RTP, RTCP, UPNP, RTSP, SMTP, NTP, DHCP, DNS, PPPOE, DDNS, FTP,RTSP,RTMP,ONVIF;SDK Secondary development
Use environment	Sea water / fresh water /land
Working humidity	0%-100%
Working temperature	-20°~55°
Power supply	DC24V 72W
Net weight	15KG
Package	1* camera 1* bracket 1*U disk (instruction and software)

**Delivery time: Sample order 15days Bulk order: 30days.**

**Payment :T/T,Paypal,West Union**

\*Patent Pending Design \*

**ROYAL TOOL(HONGKONG)LIMITED**  
No. 38,Mingquan Road, Zhongshan city,  
Guangdong Province ,China 528400.  
E-mail:info@royaltoolpro.com  
Tel:08607357640815/086 0760 88801865  
Phone:086 18565801348  
www.royaltoolpro.com  
www.vanhonindustry.com