

ROYALTOOL

Barlus 4K and Zoom Industrial Submersible Video Camera DZ10010-DZ97

4K

30xOptical zoom

100M seawater depth



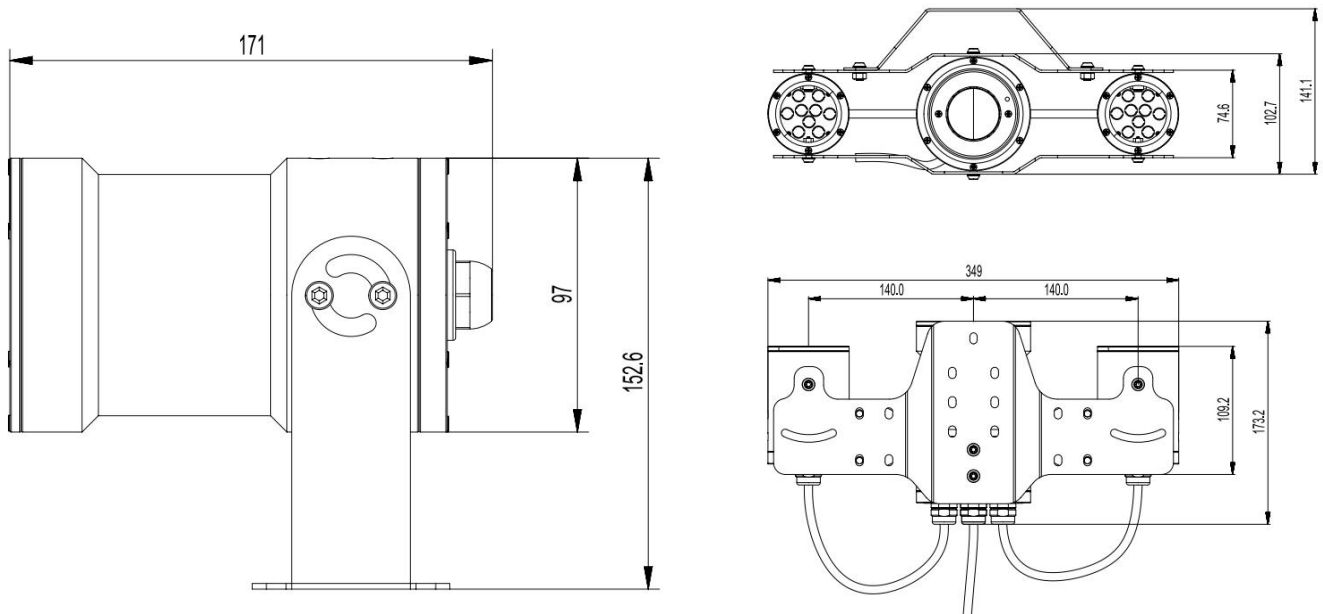
RJ45 jack

or tailor-made HDMI jack

***Patent Pending Design ***

ROYAL TOOL(HONGKONG)LIMITED
No. 38,Mingquan Road, Zhongshan city,
Guangdong Province ,China 528400.
E-mail:info@royaltoolpro.com
Tel:08607357640815/086 0760 88801865
Phone:086 18565801348
www.royaltoolpro.com
www.vanhonindustry.com

Drawing



Application

Salmon fish monitoring and control
 Fish net pen inspection
 Offshore survey
 Analysis of the underwater ecosystem
 Subsea drilling and ROV operation
 Seawater and fresh water research
 Field biologist for field work or field work
 All other visual applications

Detail spec

Camera head dimension	Φ97mm*155mm(L)
Camera head with 2 extra lights	350mm(L)*141mm(H)*174mm(W)
Lens	4.7-141mm 30x Optical zoom lens
Sensor	1/12.8" SONY CMOS sensor ,color 0.001Lux F1.2,black/white 0.0001Lux F1.2
Resolution	4K 3840x2160P 30fps 5MP 2592x1944P 30fps/50fps 4MP 2590x1920P 60fps 3MP 2048x1536P 60fps 2MP 1920x1080P 60fps
Image color	Full color
Two pcs extra fill lights	15pcs white led lights and 10000lumens in total,10level dimness 15pcs infrared lights and 10000lumens in total,10level dimness
Camera housing	316L stainless steel, anti-corrosion
Waterproof level	IP68 (permanently installed under water)
Water pressure resistance	Maximum 1000Kpa (Waterpressure resistance100M)

Cable	φ8mm thickness industrial cable material. Resistance to 60kg pull,anti-aging,anti-friction,anti-seawater corrosion.
Cable end jack	Standard with Gigabit RJ45. HDMI jack available.
Supporting device	Computer, NVR
Supporting agreement	IPv4/IPv6,802.1x,GB28181,HTTPS, HTTP, TCP/IP, UDP, RTP, RTCP, UPNP, RTSP, SMTP, NTP, DHCP, DNS, PPPOE, DDNS, FTP,RTSP,RTMP,ONVIF;SDK Secondary development
Use environment	Sea water / fresh water /land
Working humidity	0%-100%
Working temperature	-20°~55°
Power supply	DC24V 30W
Weight	8.5kg
Package	1* camera with two extra lights. 1* bracket 1*U disk (instruction and software)

Delivery time: Sample order 10 days Bulk order: 25 days.

Payment :T/T,Paypal,West Union

***Patent Pending Design ***

ROYAL TOOL(HONGKONG)LIMITED
No. 38,Mingquan Road, Zhongshan city,
Guangdong Province ,China 528400.
E-mail:info@royaltoolpro.com
Tel:08607357640815/086 0760 88801865
Phone:086 18565801348
www.royaltoolpro.com
www.vanhonindustry.com