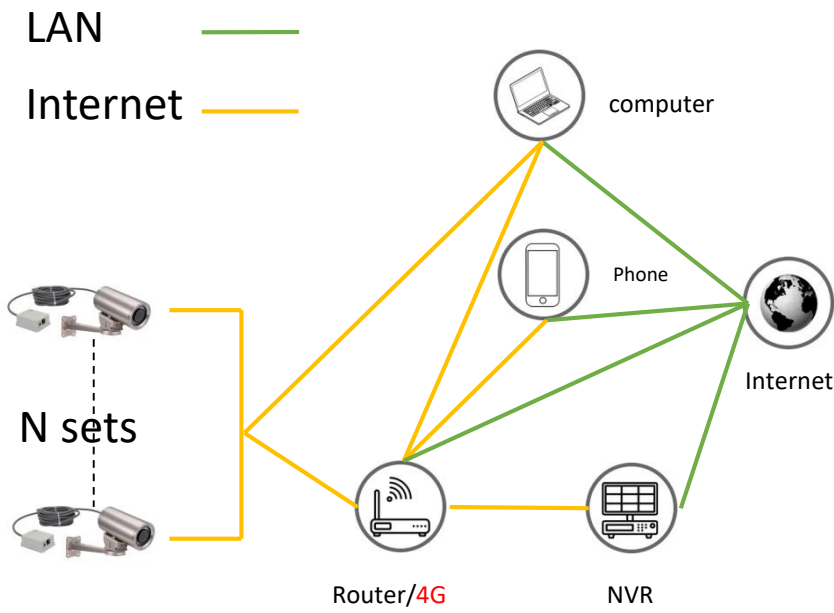


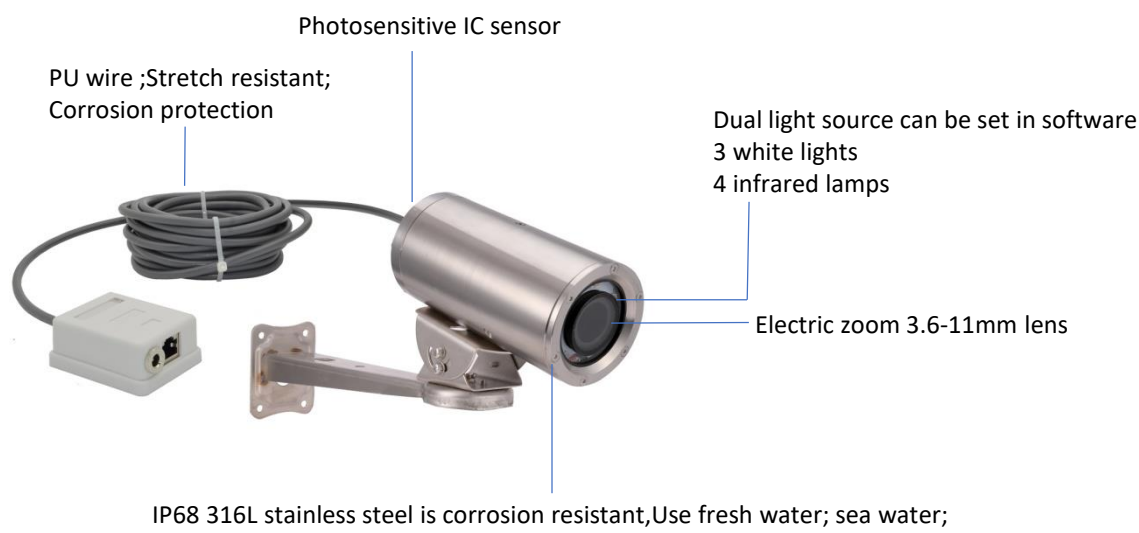
## DZ10010-SS (3rd upgrade option)



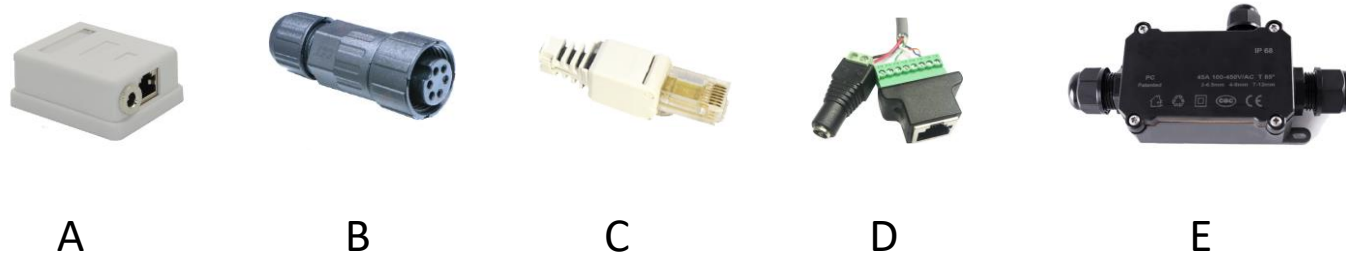
- 316L Stainless Steel
- Infrared and white light
- IP68 waterproof
- Water depth 50 meters
- Standard wiring 5 M
- Support WAN and LAN
- Support Computer and NVR
- Support IOS and Android
- High-definition image
- Focus Or Electric Zoom
- Optional 128GB TF card
- Multiple power supply methods

### Multiple ways of networking

Display model.: UW-S5Z-CST



### Fixed use



### Connector

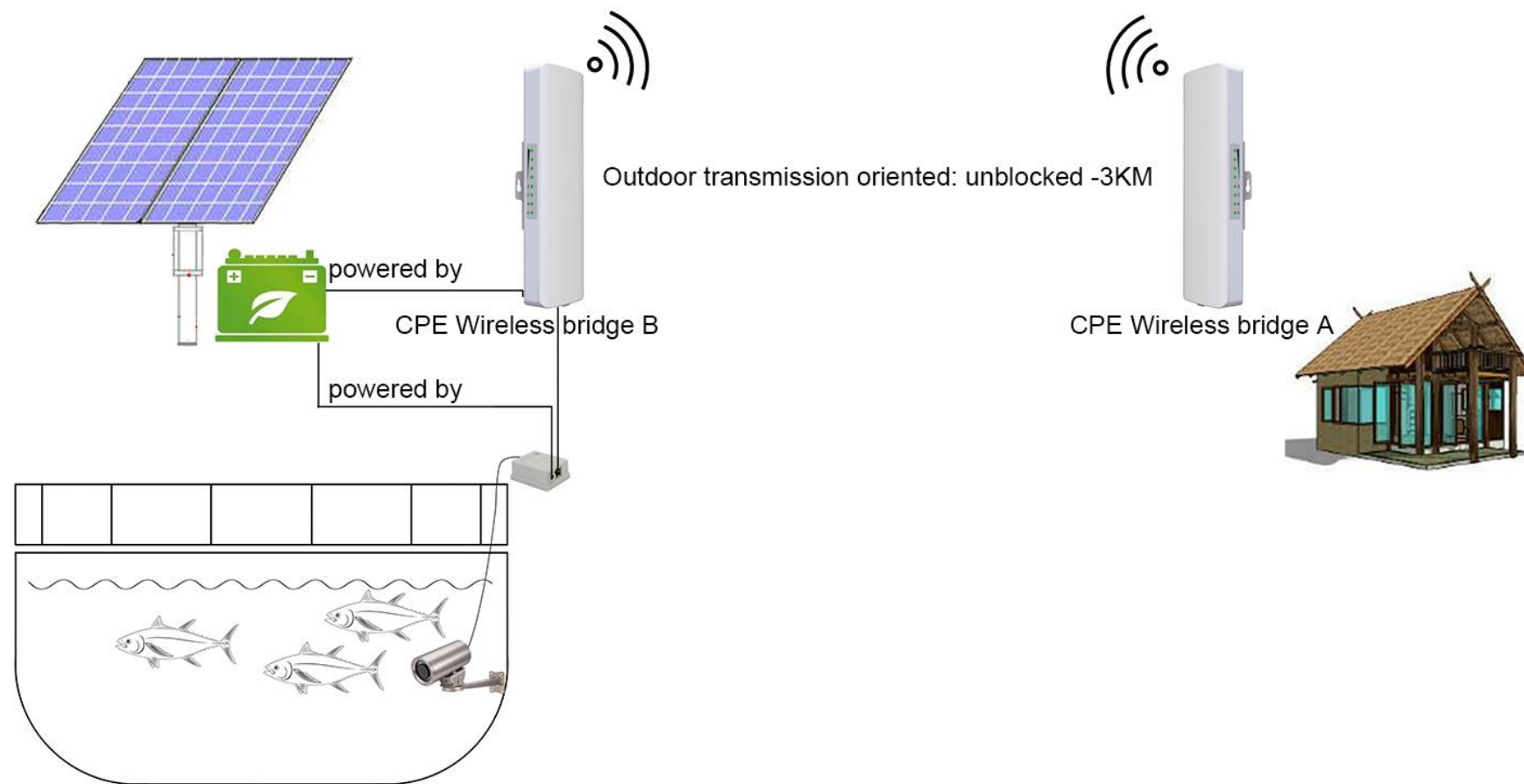
Product Usage:is widely used in Aquaculture camera(fish farming, raising sea cucumber, etc.),Aquarium breeding camera,Ice fishing; Agricultural planting; Agricultural farming; The factory produces cameras,Laboratory observation camera,Shipborne camera,Ship engine monitoring camera,Car camera,Underwater wedding photography,Undersea marine life research camera,Imaging camera in the hole of water conservancy pipe,Downhole TV camera,Underwater survey camera,Underwater work camera(such as checking the cage hole),Diving adventure camera,Underwater engineering acceptance camera,Downhole observation camera (such as drilling and workover),Fishing camera



- Custom sensor character overlay
- Wiper function
- PTZ
- Complete system
- Heating function

Customizable features	
Character overlay	Temperature; moderate; carbon dioxide; PM2.5, etc.
Wiper function	Increase the ability to clean the glass wiper
PTZ function	Up, down, left, right, rotary pan/tilt function
Complete system	Can be composed of a complete system, camera-storage-display, single or multiple components of a system.
Heating function	The camera works in -30°~55° environment

# Outdoor CPE wireless bridge remote transmission

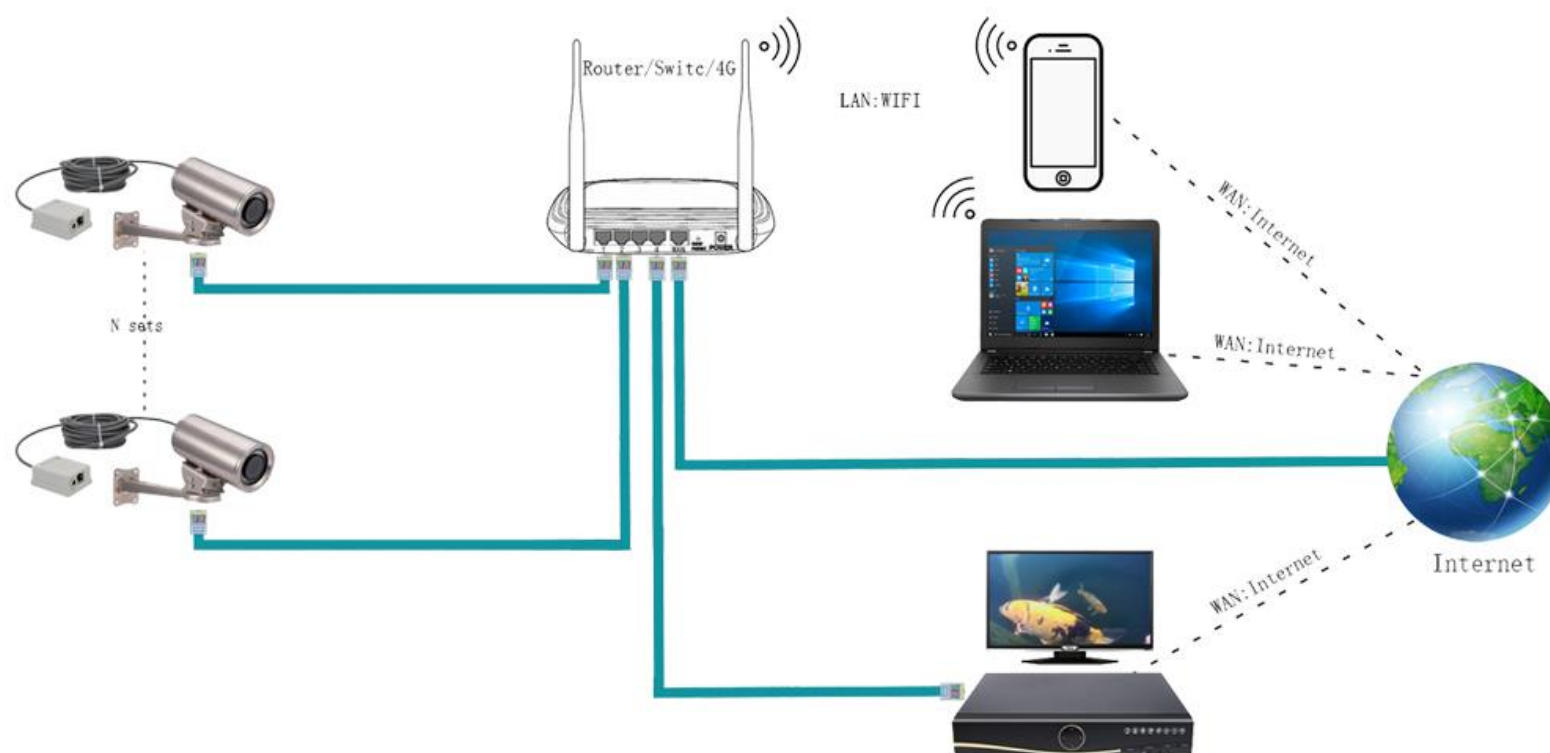
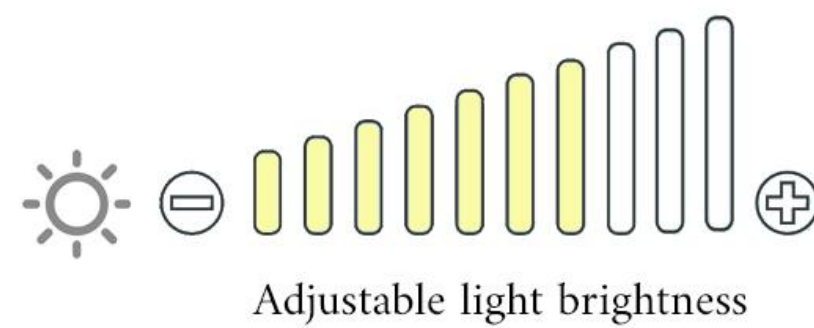


# BARLUS



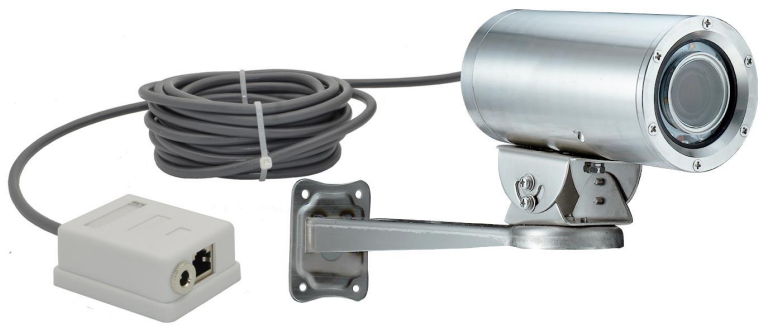
3PCS White light/4PCS Infrared light

- A** Day/night automatic switch light
- M** Manual switch light



LAN or WAN setting up lights

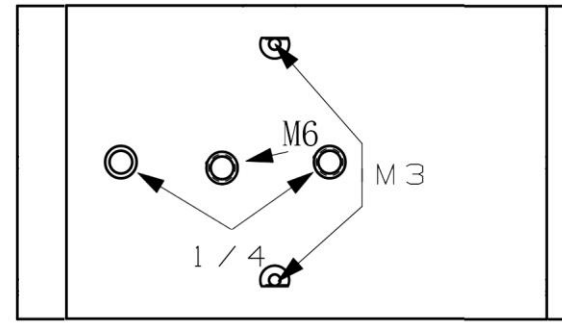




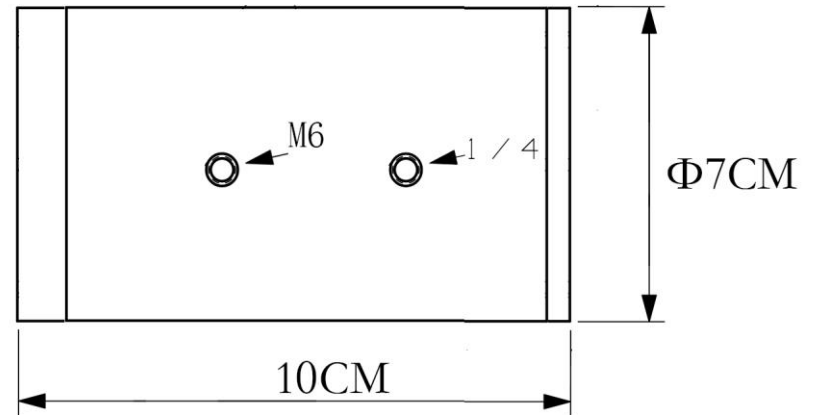
Lens: 2.0mm



Lens: 2.8mm/3.6mm/6mm/12mm

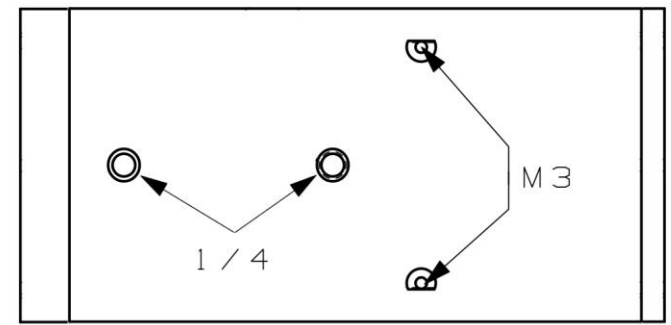
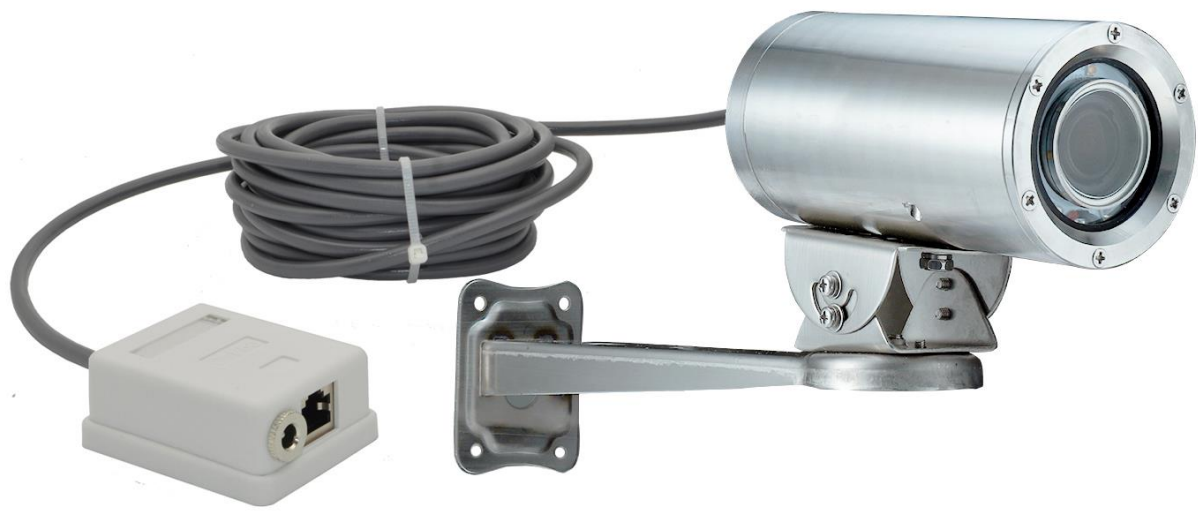


2PCS Inch 1/4 screw hole  
2PCS M3 screw holes  
1PCS M6 screw holes

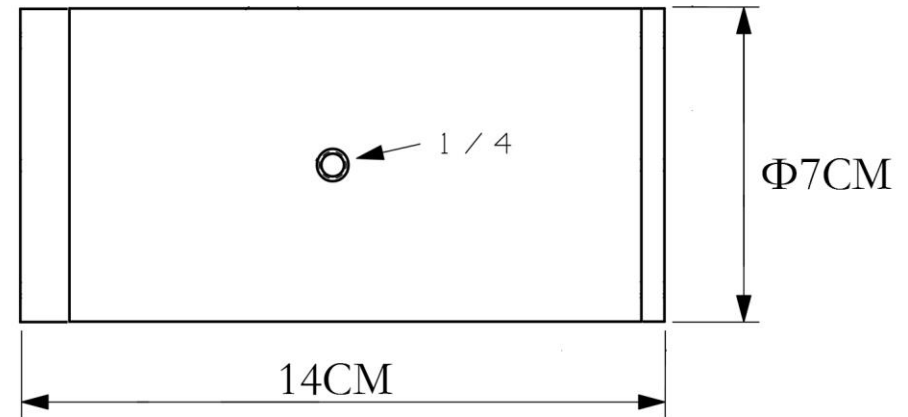


1PCS Inch 1/4 screw hole  
1PCS M6 screw holes

Model	UW-S2-2CX10	UW-S2-3CX10	UW-S2-2C6X10	UW-S2-3C6X10	UW-S3-2CX10	UW-S3-3CX10	UW-S5-3CX10	UW-S5-4CSX10
Price								
Cable (5M)								
Lens	2.0mm (H.FOV:140°)	2.8mm (H.FOV:100°) lens Electric focus: 0.05-4 meters (controlled by computer / mobile APP / NVR)	2.0mm (H.FOV:140°)	2.8mm (H.FOV:100°) lens Electric focus: 0.05-4 meters (controlled by computer / mobile APP / NVR)	2.0mm (H.FOV:140°)	2.8mm (H.FOV:100°) lens Electric focus: 0.05-4 meters (controlled by computer / mobile APP / NVR)	2.8mm (H.FOV:100°) lens Electric focus: 0.05-4 meters (controlled by computer / mobile APP / NVR)	3.6mm (H.FOV:85°) lens Electric focus: 0.05-4 meters (controlled by computer / mobile APP / NVR)
Resolution	2 MP 1920×1080P 25FPS 1 MP 1280×720P 25FPS  1/2.8" SONY CMOS sensor ,color 0.001Lux F1.2,black/white 0.0001Lux F1.2		2 MP 1920×1080P 60FPS 1 MP 1280×720P 60FPS  1/2.8" SONY CMOS sensor ,color 0.001Lux F1.2,black/white 0.0001Lux F1.2		3MP 2048×1536P 25FPS 2MP 1920×1080P 25FPS  1/3" SONY CMOS sensor ,color 0.001Lux F1.2,black/white 0.0001Lux F1.2		5MP 2592×1520P 25FPS 4MP 2590×1920P 25FPS 3MP 2048×1536P 25FPS 2MP 1920×1080P 60FPS  1/2.7" OV CMOS sensor ,color 0.01Lux F1.2,black/white 0.001Lux F1.2	5MP 2592×1520P 25FPS 4MP 2590×1920P 25FPS 3MP 2048×1536P 25FPS 2MP 1920×1080P 60FPS  1/1.8" SONY CMOS sensor ,color 0.001Lux F1.2,black/white 0.0001Lux F1.2
Fill light (mobile / computer / NVR settings)	Light sensor controlled 3 white light ,10 level brightness settings Manual controlled 3 white light , 10 level brightness settings Light sensor controlled 4 infrared light ,10 level brightness settings Manual controlled 4 infrared light ,10 level brightness settings							
Image color	Two modes: 1: white light - full color; 2: infrared light - automatic color to black;							
supporting device	Support iOS, Android, computer, NVR. Compatible with hikvision, dahua, proprietary protocol.(Only support windows-IE browser for camera internal parameter setting)							
supporting agreement	RTSP/FTP/PPPOE/DHCP/DDNS/NTP/UPnP/ONVIF;SDK Secondary development							
Material	316L stainless steel, anti-corrosion							
Waterproof level	IP68 (permanent installed under water)							
Water pressure resistance	Maximum 500Kpa (Waterpressure resistance 50M)							
Cable	The default length is 10 meters (the longest is no more than 80 meters),PU material,Diameter 6.7MM.Resistance to 60KG pull,Anti-aging,Anti-friction,Resistance to seawater corrosion,Special underwater wire.							
Use environment	Sea water / fresh water /Underwater,land,Car,Shipborne.							
Working humidity	0%-100%							
working temperature	-20°~55°							
Power Supply	Line length ≤ 10 meters;3 options:options 1:DC12V/POE 48V-54V IEEE.802.af power input and output pin: 1, 2 (+) / 3, 6 (-); options 2:DC12-DC28V/AC12-AC28V; options 3:POE 48V-54V;  Line length 11-80 meters;2 options:options 1:DC15-DC28V/AC15-AC28V; options 2:POE 48V-54V;							
Camera size	ø70*100mm							
Weight	2KG							
Package	1* camera 1* camera bracket 1*U disk (instruction and software)							



2PCS Inch 1/4 screw hole  
2PCS M3 screw holes



1PCS Inch 1/4 screw hole

Model	UW-S2Z-CX10	UW-S2Z-C6X10	UW-S3Z-CX10	UW-S5Z-CX10	UW-S5Z-CSX10	UW-S8Z-CX10	UW-S12Z-CX10
Price							
Cable							
Lens	2.8-12mm (H.FOV:90-30°) Electric zoom lens				3.6-11mm (H.FOV:80°-35°) Electric zoom lens		
Resolution	2 MP 1920×1080P 25FPS 1 MP 1280×720P 25FPS  1/2.8" SONY CMOS sensor ,color 0.001Lux F1.2,black/white 0.0001Lux F1.2	<b>2 MP 1920×1080P 60FPS</b> <b>1 MP 1280×720P 60FPS</b>  1/2.8" SONY CMOS sensor ,color 0.001Lux F1.2,black/white 0.0001Lux F1.2	3MP 2048×1536P 25FPS 2MP 1920×1080P 25FPS  1/3" SONY CMOS sensor ,color 0.001Lux F1.2,black/white 0.0001Lux F1.2	5MP 2592×1520P 25FPS 4MP 2590×1920P 25FPS 3MP 2048×1536P 25FPS <b>2MP 1920×1080P 60FPS</b>  1/2.7" OV CMOS sensor ,color 0.01Lux F1.2,black/white 0.001Lux F1.2	5MP 2592×1520P 25FPS 4MP 2590×1920P 25FPS 3MP 2048×1536P 25FPS <b>2MP 1920×1080P 60FPS</b>  1/1.8" SONY CMOS sensor ,color 0.001Lux F1.2,black/white 0.0001Lux F1.2	8MP 3840*2160P 25fps 5MP 2592×1520P 25FPS 4MP 2590×1920P 25FPS  1/2.5" SONY CMOS sensor ,color 0.001Lux F1.2,black/white 0.0001Lux F1.2	12MP 4000*3000P 15FPS 8MP 3840*2160P 25fps 5MP 2592×1520P 25FPS  1/1.8" SONY CMOS sensor ,color 0.001Lux F1.2,black/white 0.0001Lux F1.2
Fill light (mobile / computer / NVR settings)	Light sensor controlled 3 white light ,10 level brightness settings Manual controlled 3 white light , 10 level brightness settings Light sensor controlled 4 infrared light ,10 level brightness settings Manual controlled 4 infrared light ,10 level brightness settings						
Image color	Two modes: 1: white light - full color; 2: infrared light - automatic color to black;						
supporting device	Support iOS, Android, computer, NVR.Compatible with hikvision, dahua, proprietary protocol.(Only support windows-IE browser for camera internal parameter setting)						
supporting agreement	RTSP/FTP/PPPOE/DHCP/DDNS/NTP/UPnP/ONVIF;SDK Secondary development						
Material	316L stainless steel, anti-corrosion						
Waterproof level	IP68 (permanent Installed under water)						
Water pressure resistance	Maximum 500Kpa (Waterpressure resisitance 50M)						
Cable	The default length is 10 meters (the longest is no more than 80 meters),PU material,Diameter 6.7MM.Resistance to 60KG pull,Anti-aging,Anti-friction,Resistance to seawater corrosion,Special underwater wire.						
Use environment	Sea water / fresh water /Underwater,land,Car,Shipborne.						
Working humidity	0%-100%						
working temperature	-20°~55°						
Power Supply	Line length ≤ 10 meters;3 options:options 1:DC12V/POE 48V-54V IEEE.802.af power input and output pin: 1, 2 (+) / 3, 6 (-); options 2:DC12-DC28V/AC12-AC28V; options 3:POE 48V-54V; Line length 11-80 meters;2 options:options 1:DC15-DC28V/AC15-AC28V; options 2:POE 48V-54V;						
Camera size	ø70*140mm						
Weight	2.5KG						
Package	1* camera 1* camera bracket 1*U disk (instruction and software)						



Model	UW-S2Z-FCX20	UW-S2Z-FC6X20	UW-S3Z-FCX20	UW-S5Z-FCSX20	UW-S8Z-FCX20	UW-S12Z-FCX20
Price						
Cable						
Lens	2.8-12mm (H.FOV:90-30°) Electric zoom lens			3.6-11mm (H.FOV:80°-35°) Electric zoom lens		
Resolution	2 MP 1920×1080P 25FPS 1 MP 1280×720P 25FPS  1/2.8" SONY CMOS sensor ,color 0.001Lux F1.2,black/white 0.0001Lux F1.2	<b>2 MP 1920×1080P 60FPS</b> <b>1 MP 1280×720P 60FPS</b>  1/2.8" SONY CMOS sensor ,color 0.001Lux F1.2,black/white 0.0001Lux F1.2	3MP 2048×1536P 25FPS 2MP 1920×1080P 25FPS  1/3" SONY CMOS sensor ,color 0.001Lux F1.2,black/white 0.0001Lux F1.2	5MP 2592×1520P 25FPS 4MP 2590×1920P 25FPS 3MP 2048×1536P 25FPS <b>2MP 1920×1080P 60FPS</b>  1/1.8" SONY CMOS sensor ,color 0.001Lux F1.2,black/white 0.0001Lux F1.2	8MP 3840*2160P 25fps 5MP 2592×1520P 25FPS 4MP 2590×1920P 25FPS  1/2.5" SONY CMOS sensor ,color 0.001Lux F1.2,black/white 0.0001Lux F1.2	12MP 4000*3000P 15FPS 8MP 3840*2160P 25fps 5MP 2592×1520P 25FPS  1/1.8" SONY CMOS sensor ,color 0.001Lux F1.2,black/white 0.0001Lux F1.2
Fill light (mobile / computer / NVR settings)	Light sensor controlled 12 white light ,10 level brightness settings					
	Manual controlled 12 white light , 10 level brightness settings					
	Light sensor controlled 8 infrared light ,10 level brightness settings					
	Manual controlled 8 infrared light ,10 level brightness settings					
Image color	Two modes: 1: white light - full color; 2: infrared light - automatic color to black;					
supporting device	Support iOS, Android, computer, NVR.Compatible with hikvision, dahua, proprietary protocol.(Only support windows-IE browser for camera internal parameter setting)					
supporting agreement	RTSP/FTP/PPPOE/DHCP/DDNS/NTP/UPnP/ONVIF;SDK Secondary development					
Material	316L stainless steel, anti-corrosion					
Waterproof level	IP68 (permanent Installed under water)					
Water pressure resistance	Maximum 1000Kpa (Waterpressure resisance 100M)					
Cable	The default length is 20 meters (the longest is no more than 50 meters),PU material,Diameter 6.7MM.Resistance to 60KG pull,Anti-aging,Anti-friction,Resistance to seawater corrosion,Special underwater wire.					
Use environment	Sea water / fresh water /Underwater,land,Car,Shipborne.					
Working humidity	0%-100%					
working temperature	-20°~55°					
Power Supply	DC24V/AC24V;30W					
Camera size	350*140*70mm					
Weight	6KG					
Package	1* camera 1* camera bracket 1*U disk (instruction and software)					